



USER'S MANUAL Rev. A

MK-76P

Mini GPS Antenna for Micro Tracking



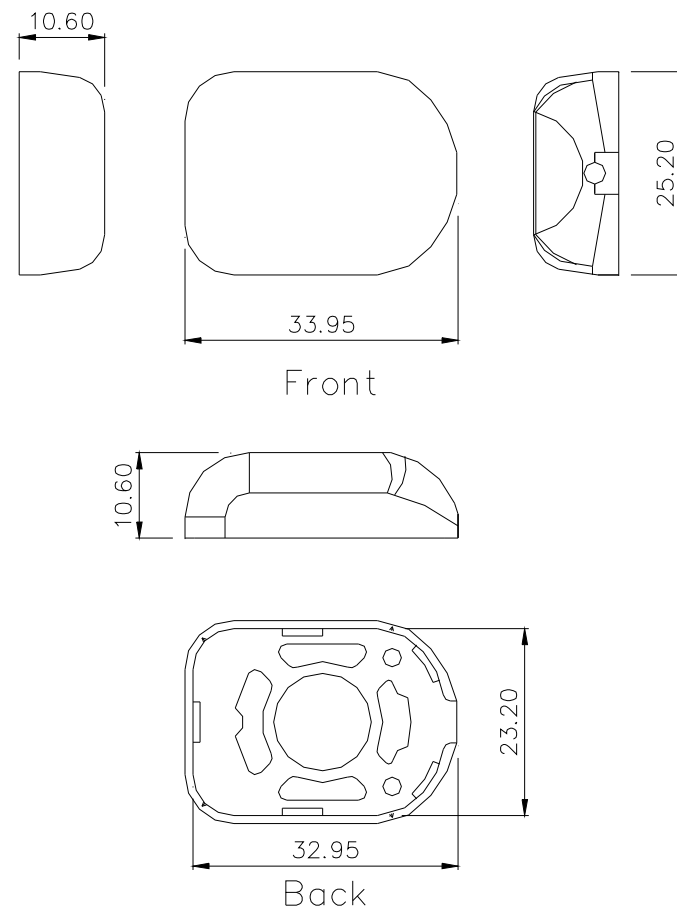
SAN JOSE TECHNOLOGY, INC.

11F.,No.2,Sec.4, Jhongyang Rd. ,
Tucheng City,Taipei County ,Taiwan (R.O.C.)
Tel: 886-2-2269-4456 Fax: 886-2-2269-4451

PREFACE

This text specifies the basic operational characteristics of the active GPS antenna **MK-76P**.

Technical Drawing





INSTALLATION

1. Secure your MK-76P antenna to the top of your vehicle and carry its cable into the vehicle.
2. Link the cable connector to your GPS receiver.
3. Start with your navigation.

SPECIFICATIONS

PHYSICAL CONSTRUCTION	
Construction:	Polycarbonate radome on metal base
Dimension:	33.95mm (L) x 25.20mm (W) x 10.60mm (H)
Weight:	30 grams (excluding cable & connector)
Color of Radome:	Standard in dark gray, other colors available upon request
Standard Mounting:	Magnet or screw mount

ANTENNA ELEMENT	
Center Frequency:	1575.42 MHz +/- 1.023 MHz
Polarization:	R.H.C.P. (Right Hand Circular Polarization)
Absolute Gain at Zenith:	+5 dBi typically
Gain at 10° Elevation:	-1 dBi typically
Axial Ratio:	3 dB max.
Output VSWR:	1.5 max.
Output Impedance:	50 ohm

CABLE & CONNECTOR	
RF Cable:	10" RG178/U (standard), other length available
Pulling Strength:	6 Kg/5 sec. with molded plastics on connector end for strain relief
Connector Available:	BNC, TNC, FME (to be adapted), GT5, MCX (OSX), SMA, SMB or SMC in straight or right angle type
Optional Adapters:	FME~MCX, FME~BNC, FME~SMA, FME~SMB, FME~TNC

ENVIRONMENTAL CONDITIONS	
Operating Temperature	-30°C~+85°C
Storage Temperature:	-40°C~+90°C
Relative Humidity:	95% non-condensing
Waterproof:	100% waterproof