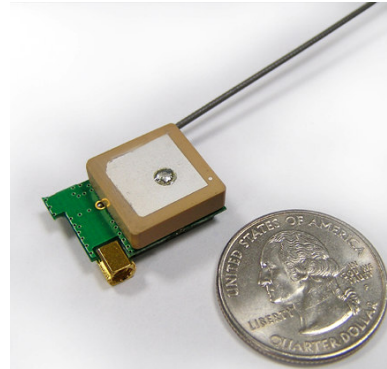
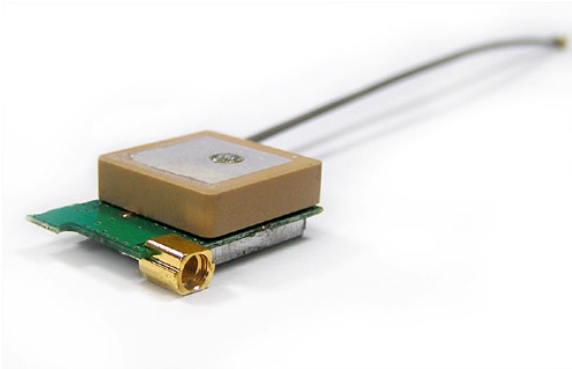


GPS Antenna Module

Model: D-15C

Compact & Sensitive GPS Antenna Module with Excellent Signal Amplification for Mobile Applications



©2008 San Jose Technology, Inc. All specifications subject to change without notice.

D-15C is the most compact GPS antenna module currently available on the market, thanks to our cutting-edge technology that makes the device the tiniest possible without sacrificing performance. With comprehensive coverage almost all the way to the horizon, it performs excellently in foliage or urban canyon environment. Featuring diminutive but substantial enclosure plus unparalleled performance, **D-15C** is compatible with almost every GPS receiver model available on the market and provides a perfect alternative for a vast range of GPS applications in the fields of AVL, vehicle navigation, aviation and military.

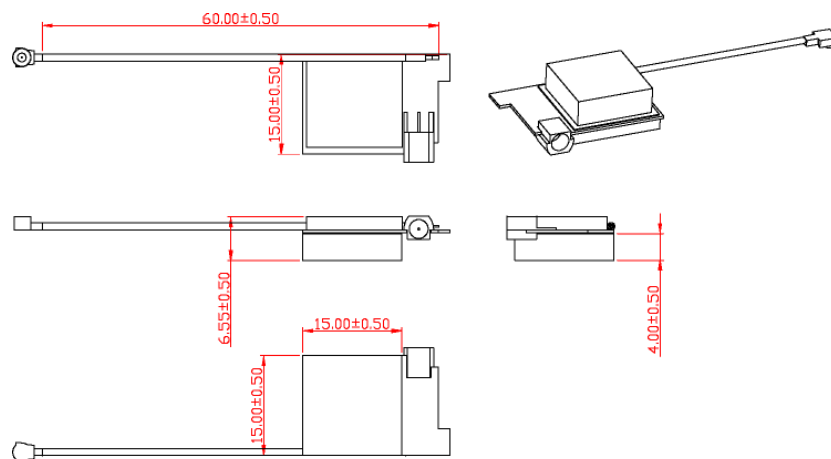
Features:

1. Microscopic & rigid structure suit well military and other applications demanding high degree of confidentiality.
2. High sensitivity.
3. Module board available for embedded applications.
4. Ideal for PDA, Handhelds and other computing devices running GPS applications.

Applications

For antenna units used with or in handheld system, Automobile, Recreational, Marine, etc

Mechanical



©2008 San Jose Technology, Inc.
All specifications subject to change without notice.

Specification:

| | |
|---------------------------------|---|
| Physical Condition | |
| Dimension | 15mm (L) x 15mm (W) x 4mm (H) |
| Weight | < 6 g |
| Standard Mounting | Solder |
| Antenna Element | |
| Center Frequency | 1575.42 MHz +/- 1.023 MHz |
| Polarization | R.H.C.P. (Right Hand Circular Polarization) |
| Absolute Gain at Zenith | 1.0 dBic Typ. |
| Axial Ratio | 3.0 dB Typ. |
| Bandwidth | 1 0MHz min. @S11-10 dB |
| Output Impedance | 50 ohm |
| Ground size | 50mm*50mm |
| Low Noise Amplifier | |
| Center Frequency | 1575.42 MHz +/- 1.023 MHz |
| Gain | 17 dB Typ. |
| Output VSWR | 2.0 Max. |
| Noise Figure | 1.5 Typ. |
| Supply Voltage | 2.8V ~3.7V DC |
| Current Consumption | 3.3 V: 3.8 mA Typ. |
| Output Impedance | 50 ohm |
| Connector Available | MMCX. |
| ENVIRONMENTAL CONDITIONS | |
| Operation temperature | -35°C to +85°C |
| Storage temperature | -40°C to +90°C |
| Relative Humidity | 10~95% non-condensing |
| External Antenna | |
| Power Supply | 2.4~3.3V DC (The power supply of external antenna is required 0.4V deduction from the antenna power supply. Ex: 2.5V external antenna will work on the power supply of 2.9V) |
| Connector required | MMCX Plug type connector |

(*PS: The specification is subject to change without prior notice)