

# 7-in-1 Multi-band Antenna

## MODEL: AW-4S

Multi-band antenna for any telemetry applications



©San Jose Technology, Inc. All specifications subject to change without notice.

### Overview:

The **AW-4S** is the multi-band antenna that covers GPS/850/900/1800/1900/2100/2400 MHz frequencies. It is specially designed for any telemetry applications, which utilize those bands. The high sensitivity of **AW-4S** will enhance the performance of your telemetry devices.

### Features:

1. Covers all the mobile communication network
2. Diminutive & rugged construction allows for military and other applications demanding high degree of confidentiality.
3. Ultra-high sensitivity.
4. IPX7 fully weatherproof.
5. Excellent temperature stability
6. Magnetic Mount

### Applications:

1. AVL/Car Navigation
2. Telemetry Application
3. Security Surveillance
4. Vehicle tracking/Asset tracking

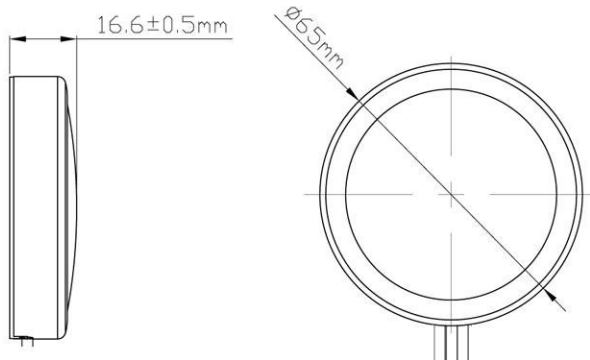
### Specification:

Category	GPS Antenna	Communication Antenna
Frequency	1.57542GHz (L1 BAND)	824 MHz ~ 894 MHz (GSM 850MHz) 890~960 MHz (GSM 900MHz) 1710~1890 MHz (DCS 1800MHz) 1850 ~ 1990 MHz (PCS 1900MHz) 1920-2170MHz (WCDMA 2100MHz) 2400 ~ 2483 MHz (Wifi 2400MHz)
Gain(Without Cable)	26dB	1.7dBi
V.S.W.R	2.0 Max.	≤ 2.0 (with 3m cable)
Noise Figure	1.5 Typ.	-
Band Width	2 MHz	136MHz for frequency of 824MHz-960MHz 280MHz for frequency of 1710MHz-1990MHz 83MHz for frequency of 2400-2483
Impedance	50 Ohm	50 Ohm
Cable/Connector	3 Meter-RG174/SMA	3 Meter-RG174/SMA
Polarization	R.H.C.P	Linear
Power supply	2.5 ~ 5.5V DC	-
Power Consumption	2.5V : 7.5mA Typical 3V : 10.3 mA Typical 4V : 10.5mA Typical 5V : 10.5mA Typical	-
Power Handling Capacity	-	10W
Dimension	65mm(Dia.) x 16.6mm(H)	
Operation Temperature	-30degC to +75degC	
Storage Temperature	-40degC to +85degC	
Waterproof Rating	IPX7	
Color	Black	

©San Jose Technology, Inc.  
All specifications subject to change without notice.

\* This specification is subject to change without prior notice

### Mechanical Dimension:



Unit: mm